



DSA CODE AMENDMENT DEVELOPMENT

TRACKING

Date Received:
DSA Tracking Number: 1
Date Reviewed: February 23, 2023
Status: Post CAC

APPLICABLE CODE

Applicable Code Section(s): CBC Chapter 2, Section 202
Topic: Definition of BLENDED TRANSITION

CURRENT CODE LANGUAGE

BLENDED TRANSITION. [DSA-AC] A raised pedestrian crossing, depressed corner or similar connection that has a grade of 5 percent or less between a circulation path at the level of the sidewalk or walk and the level of a vehicular way.

SUGGESTED TEXT OF PROPOSED AMENDMENT

BLENDED TRANSITION. [DSA-AC] A raised pedestrian crossing, depressed corner or similar connection that has a ~~grade of 5 percent~~ slope of 1:20 or less between a circulation path at the level of the sidewalk or walk and the level of a vehicular way.

CODE TEXT IF ADOPTED

BLENDED TRANSITION. [DSA-AC] A raised pedestrian crossing, depressed corner or similar connection that has a slope of 1:20 or less between a circulation path at the level of the sidewalk or walk and the level of a vehicular way.

STATEMENT OF REASONS

CBC Chapter 11B and the Americans with Disabilities Act Standards currently expresses slope in ratio terms, rather than percentages. Older editions of the CBC used percentages or would include both a percentage and ratio equivalent but moved away from this practice due to minor inaccuracies that created differences between the two numbers. The current definition uses percentage language that does not match standard Chapter 11B terminology. DSA proposes to use a ratio term for the slope, so the terminology used is consistent among code sections.

DSA COMMENTS



DSA CODE AMENDMENT DEVELOPMENT

TRACKING

Date Received: September 23, 2022
DSA Tracking Number: 2
Date Reviewed: February 23, 2023
Status: Post CAC

APPLICABLE CODE

Applicable Code Section(s): Part 2 Chapter 2 Definitions
Topic: Elevator Building

CURRENT CODE LANGUAGE

SUGGESTED TEXT OF PROPOSED AMENDMENT

CODE TEXT IF ADOPTED

STATEMENT OF REASONS

DSA COMMENTS

This item has been withdrawn. Item 11, which was related, is still proposed.



DSA CODE AMENDMENT DEVELOPMENT

TRACKING

Date Received:
DSA Tracking Number: 3
Date Reviewed: February 23, 2023
Status: Post CAC

APPLICABLE CODE

Applicable Code Section(s): CBC Chapter 4, Section 406.2.3
Topic: Accessible Parking Spaces

CURRENT CODE LANGUAGE

SECTION 406 MOTOR-VEHICLE-RELATED OCCUPANCIES

406.1 General. All motor-vehicle-related occupancies shall comply with Section 406.2. ...

406.2 Design. Private garages and carports, ...

406.2.3 Accessible parking spaces. Where parking is provided, accessible parking spaces, access aisles and vehicular routes serving accessible parking shall be provided in accordance with *Chapter 11A*.

SUGGESTED TEXT OF PROPOSED AMENDMENT

SECTION 406 MOTOR-VEHICLE-RELATED OCCUPANCIES

406.1 General. All motor-vehicle-related occupancies shall comply with Section 406.2. ...

406.2 Design. Private garages and carports, ...

406.2.3 Accessible parking spaces. Where parking is provided, accessible parking spaces, access aisles and vehicular routes serving accessible parking shall be provided in accordance with *Chapter 11A* or Chapter 11B, as applicable.

CODE TEXT IF ADOPTED

SECTION 406 MOTOR-VEHICLE-RELATED OCCUPANCIES

406.1 General. All motor-vehicle-related occupancies shall comply with Section 406.2. ...

406.2 Design. Private garages and carports, ...

406.2.3 Accessible parking spaces. Where parking is provided, accessible parking spaces, access aisles and vehicular routes serving accessible parking shall be provided in accordance with *Chapter 11A* or Chapter 11B, as applicable.

STATEMENT OF REASONS

CBC Section 406 provides information on the requirements for all motor vehicle related occupancies. The existing courtesy reference to direct the code user to Chapter 11A for accessibility provisions does not include a similar reference to Chapter 11B. The change would add a reference to Chapter 11B in addition to the existing reference to Chapter 11A.

DSA COMMENTS



DSA CODE AMENDMENT DEVELOPMENT

TRACKING

Date Received:
DSA Tracking Number: 4
Date Reviewed: February 23, 2023
Status: Post CAC

APPLICABLE CODE

Applicable Code Section(s): CBC Chapter 10, Section 1009.2
Topic: Accessible Means of Egress, Continuity and Components

CURRENT CODE LANGUAGE

1009.1 Accessible means of egress required. Accessible means of egress shall comply with...

1009.2 Continuity and components. Each required accessible means of egress shall be continuous to a public way and shall consist of one or more of the following components:

1. Accessible routes complying with ...
...
10. Exterior areas for assisted rescue complying with Section 1009.7 serving exits at the level of exit discharge.

SUGGESTED TEXT OF PROPOSED AMENDMENT

1009.1 Accessible means of egress required. Accessible means of egress shall comply with...

1009.2 Continuity and components. Each required accessible means of egress shall be continuous to a public way and shall consist of one or more of the following components:

1. Accessible routes complying with ...
...
10. Exterior areas for assisted rescue complying with Section 1009.7 serving exits at the level of exit discharge.
11. Safe dispersal areas where they are allowed under Section 1028.5.

CODE TEXT IF ADOPTED

1009.1 Accessible means of egress required. Accessible means of egress shall comply with...

1009.2 Continuity and components. Each required accessible means of egress shall be continuous to a public way and shall consist of one or more of the following components:

1. Accessible routes complying with ...

...

10. Exterior areas for assisted rescue complying with Section 1009.7 serving exits at the level of exit discharge.

11. *Safe dispersal areas where they are allowed under Section 1028.5.*

STATEMENT OF REASONS

Chapter 10, Section 1009.2 lists the requirements for an accessible means of egress, and alternate methods of providing egress, including safe dispersal areas. The proposed change adds a reference to Section 1028.5, which has more detailed requirements for safe dispersal areas than those found in Section 1009.2.

This item is related to Item 7.

DSA COMMENTS



DSA CODE AMENDMENT DEVELOPMENT

TRACKING

Date Received:
DSA Tracking Number: 5
Date Reviewed: February 23, 2023
Status: Post CAC

APPLICABLE CODE

Applicable Code Section(s): CBC Chapter 10, Section 1009.8.2
Topic: Accessible Means of Egress

CURRENT CODE LANGUAGE

1009.8.2 Directions. Directions for the use of the two-way communication system, instructions for summoning assistance via the two-way communication system and written identification of the location shall be posted adjacent to the two-way communication system. Signage shall comply with *Chapter 11A, Section 1143A or Section 11B-703.5* requirements for visual characters.

SUGGESTED TEXT OF PROPOSED AMENDMENT

1009.8.2 Directions. Directions for the use of the two-way communication system, instructions for summoning assistance via the two-way communication system and written identification of the location shall be posted adjacent to the two-way communication system. Signage shall comply with *Chapter 11A, Section 1143A or Chapter 11B, Section 11B-703.5* requirements for visual characters.

CODE TEXT IF ADOPTED

1009.8.2 Directions. Directions for the use of the two-way communication system, instructions for summoning assistance via the two-way communication system and written identification of the location shall be posted adjacent to the two-way communication system. Signage shall comply with *Chapter 11A, Section 1143A or Chapter 11B, Section 11B-703.5* requirements for visual characters.

STATEMENT OF REASONS

CBC Section 1009.8.2 provides information on the requirements for all signs at two-way communication systems. The existing courtesy reference does direct users to both technical sections in Chapters 11A and 11B but specifying Chapter 11B before the section number provides easier readability and flow.

DSA COMMENTS



DSA CODE AMENDMENT DEVELOPMENT

TRACKING

Date Received:
 DSA Tracking Number: 6
 Date Reviewed: February 23, 2023
 Status: Post CAC

APPLICABLE CODE

Applicable Code Section(s): CBC Chapter 10, Section 1010.1.4
 Topic: Floor Elevation

CURRENT CODE LANGUAGE

1010.1.4 Floor Elevation. There shall be a floor or landing on each side of a door. Such floor or landing shall be at the same elevation on each side of the door. Landings shall be level except for exterior landings, which are permitted to have a slope not to exceed 0.25 unit vertical in 12 units horizontal (2-percent slope).

Exceptions:

...

- 5. Exterior decks, patios or balconies that are part of *adaptable or accessible* dwelling units, have impervious surfaces and that are not more than 4 inches (102 mm) below the finished floor level of the adjacent interior space of the dwelling unit. See also Chapter 11A, Section 1132A.4.

SUGGESTED TEXT OF PROPOSED AMENDMENT

1010.1.4 Floor Elevation. There shall be a floor or landing on each side of a door. Such floor or landing shall be at the same elevation on each side of the door. Landings shall be level except for exterior landings, which are permitted to have a slope not to exceed 0.25 unit vertical in 12 units horizontal (2-percent slope).

Exceptions:

...

- 5. Exterior decks, patios or balconies that are part of *adaptable or accessible* dwelling units, have impervious surfaces and that are not more than 4 inches (102 mm) below the finished floor level of the adjacent interior space of the dwelling unit. See also Chapter 11A, Section 1132A.4 or Chapter 11B, as applicable.

CODE TEXT IF ADOPTED

1010.1.4 Floor Elevation. There shall be a floor or landing on each side of a door. Such floor or landing shall be at the same elevation on each side of the door. Landings shall be level except for exterior landings, which are permitted to have a slope not to exceed 0.25 unit vertical in 12 units horizontal (2-percent slope).

Exceptions:

...

5. Exterior decks, patios or balconies that are part of *adaptable or accessible* dwelling units, have impervious surfaces and that are not more than 4 inches (102 mm) below the finished floor level of the adjacent interior space of the dwelling unit. See also *Chapter 11A, Section 1132A.4 or Chapter 11B, as applicable.*

STATEMENT OF REASONS

Both Chapters 11A and 11B have additional requirements for doors at exterior decks, patios and balconies that are more restrictive than the requirements of Section 1010.1.4, Exception 5. The proposed change references both chapters, rather than just Chapter 11A.

DSA COMMENTS



DSA CODE AMENDMENT DEVELOPMENT

TRACKING

Date Received:
 DSA Tracking Number: 7
 Date Reviewed: February 23, 2023
 Status: Post CAC

APPLICABLE CODE

Applicable Code Section(s): CBC Chapter 10, Section 1028.5
 Topic: Safe Dispersal Areas

CURRENT CODE LANGUAGE

SECTION 1028 EXIT DISCHARGE

1028.1 General. Exits shall discharge directly to the exterior of the building. The exit discharge shall...

...

1028.5 Access to a public way. The exit discharge shall provide a direct and unobstructed access to a public way.

Exception: Where access to a public way cannot be provided, a safe dispersal area shall be provided where all of the following are met:

1. The area shall be of a size to accommodate not less than 5 square feet (0.46 m²) for each person.
2. *For other than Group E buildings, the area shall be located on the same lot not less than 50 feet (15 240 mm) away from the building requiring egress. For Group E buildings, the area shall be located on the same lot at least 50 feet (15 240 mm) away from any building.*
3. The area shall be permanently maintained and identified as a safe dispersal area.
4. The area shall be provided with a safe and unobstructed path of travel from the building.
5. *In correctional facilities, the area shall be of a size to accommodate not less than 7 square feet (0.6503 m²) for each person. Accessible path of egress travel to the safe dispersal area and clear ground space for 5 percent of the occupants meeting Section 11B-305.3 shall be provided.*

SUGGESTED TEXT OF PROPOSED AMENDMENT

SECTION 1028 EXIT DISCHARGE

1028.1 General. Exits shall discharge directly to the exterior of the building. The exit discharge shall...

...

1028.5 Access to a public way. The exit discharge shall provide a direct and unobstructed access to a public way.

Exception: Where access to a public way cannot be provided, a safe dispersal area shall be provided where all of the following are met:

1. The area shall be of a size to accommodate not less than 5 square feet (0.46 m²) for each person.
2. *For other than Group E buildings, the area shall be located on the same lot not less than 50 feet (15 240 mm) away from the building requiring egress. For Group E buildings, the area shall be located on the same lot at least 50 feet (15 240 mm) away from any building.*
3. The area shall be permanently maintained and identified as a safe dispersal area.
4. The area shall be provided with a safe and unobstructed path of travel from the building.
5. *In correctional facilities, the area shall be of a size to accommodate not less than 7 square feet (0.6503 m²) for each person. Accessible path of egress travel to the safe dispersal area and clear ground space for 5 percent of the occupants meeting Section 11B-305.3 shall be provided.*
6. *At facilities regulated by Chapter 11B, an accessible area within the space required by Exception 1 shall be provided for a minimum of 2 percent of the facility occupants served by the safe dispersal area. For each occupant, the accessible area shall provide clear ground space complying with Section 11B-305. Accessible routes complying with Chapter 11B, Division 4 shall connect the accessible area with all accessible exits served by the safe dispersal area.*

CODE TEXT IF ADOPTED

SECTION 1028 EXIT DISCHARGE

1028.1 General. Exits shall discharge directly to the exterior of the building. The exit discharge shall...

...

1028.5 Access to a public way. The exit discharge shall provide a direct and unobstructed access to a public way.

Exception: Where access to a public way cannot be provided, a safe dispersal area shall be provided where all of the following are met:

1. The area shall be of a size to accommodate not less than 5 square feet (0.46 m²) for each person.
2. *For other than Group E buildings, the area shall be located on the same lot not less than 50 feet (15 240 mm) away from the building requiring egress. For Group E buildings, the area shall be located on the same lot at least 50 feet (15 240 mm) away from any building.*
3. The area shall be permanently maintained and identified as a safe dispersal area.
4. The area shall be provided with a safe and unobstructed path of travel from the building.
5. *In correctional facilities, the area shall be of a size to accommodate not less than 7 square feet (0.6503 m²) for each person. Accessible path of egress travel to the safe*

dispersal area and clear ground space for 5 percent of the occupants meeting Section 11B-305.3 shall be provided.

6. *At facilities regulated by Chapter 11B, an accessible area within the space required by Exception 1 shall be provided for a minimum of 2 percent of the facility occupants served by the safe dispersal area. For each occupant, the accessible area shall provide clear ground space complying with Section 11B-305. Accessible routes complying with Chapter 11B, Division 4 shall connect the accessible area with all accessible exits served by the safe dispersal area.*

STATEMENT OF REASONS

CBC Chapter 10, Section 1028.5 requires the exit discharge provide a direct and unobstructed access to a public way. An exception allows a complying safe dispersal area shall be provided where access to the public way cannot be provided. The model code publisher, International Code Council, in its *2021 IBC Code and Commentary* explains that the exception to Section 1028.5 allows a safe dispersal area where direct and unobstructed access to a public way is not safe or not achievable because of site constraints or security concerns.

Model code for Section 1028.5 does not state that accessibility is required to safe dispersal areas. However, in its *2021 IBC Code and Commentary* the International Code Council explains that the area of 5 square feet per occupant required by Item 1 in this section, “would allow adequate space for standing persons as well as some space for wheelchairs or on stretchers.” The specific requirements for accessibility in or to safe dispersal areas are not provided in model code. California amendments in Item 5 address accessibility in correctional facilities.

DSA is proposing specific technical requirements for an area within the safe dispersal area to provide accessible features to accommodate people who use mobility devices and others. These features include an accessible clear floor area to accommodate 2 percent of the facility population using the safe dispersal area, and accessible routes to connect accessible exits served by the safe dispersal area.

Related to the changes in Section 1028.5, DSA is also proposing to add safe dispersal areas as a component of an accessible means of egress as allowed in Section 1009.2.

This item is related to Item 4

DSA COMMENTS



DSA CODE AMENDMENT DEVELOPMENT

TRACKING

Date Received:
 DSA Tracking Number: 8
 Date Reviewed: February 23, 2023
 Status: Post CAC

APPLICABLE CODE

Applicable Code Section(s): CBC Chapter 11A, Section 1150A
 Topic: Site Impracticality Tests

CURRENT CODE LANGUAGE

SECTION 1150A
SITE IMPRACTICALITY TESTS

1150A.1 General. Covered multifamily dwellings...

SINGLE BUILDING WITH ONE COMMON (LOBBY) ENTRANCE

The following may only be used...

Provisions to Test Nos. 1 and 2. Where a building elevator...

TEST NO. 1—INDIVIDUAL BUILDING TEST

It is not required by this code...

TEST NO. 2—SITE ANALYSIS TEST

For a site having multiple buildings...

TEST NO. 3—UNUSUAL CHARACTERISTICS TEST

Unusual characteristics include...

1150A.2 Additional requirements for Section 1150A.

All other ground floor dwelling units...

SUGGESTED TEXT OF PROPOSED AMENDMENT

[DSA-AC proposes to rescind its adoption of Section 1150A and Subsections 1150A.1 and 1150A.2 in their entirety.]

~~**SECTION 1150A**~~
~~**SITE IMPRACTICALITY TESTS**~~

~~**1150A.1 General.** Covered multifamily dwellings...~~

~~**SINGLE BUILDING WITH ONE COMMON (LOBBY) ENTRANCE**~~

~~The following may only be used...~~

~~*Provisions to Test Nos. 1 and 2. Where a building elevator...*~~

~~TEST NO. 1—INDIVIDUAL BUILDING TEST~~

It is not required by this code...

~~TEST NO. 2—SITE ANALYSIS TEST~~

For a site having multiple buildings...

~~TEST NO. 3—UNUSUAL CHARACTERISTICS TEST~~

Unusual characteristics include...

~~1150A.2 Additional requirements for Section 1150A.~~

All other ground floor dwelling units...

CODE TEXT IF ADOPTED

[Not applicable. If this change is adopted DSA-AC will no longer adopt Section 1150A and Subsections 1150A.1 and 1150A.2. The Department of Housing and Community Development's adoption of these sections is unaffected by this change.]

STATEMENT OF REASONS

DSA made substantial changes to housing regulation section adoptions in the 2019 CBC. The adoption of Section 1150A was intended to be rescinded at that time but was overlooked. The section is no longer applicable, as it has been replaced by the application and scoping provisions of Divisions 1 and 2 of Chapter 11B, and the site impracticality tests were moved to Section 11B-233.3.1.2.6. DSA proposes to correct the oversight and rescind the adoption of Section 1150A and its subsections.

DSA COMMENTS



DSA CODE AMENDMENT DEVELOPMENT

TRACKING

Date Received:
 DSA Tracking Number: 9
 Date Reviewed: February 23, 2023
 Status: Post CAC

APPLICABLE CODE

Applicable Code Section(s): CBC Chapter 11B, Section 11B-213
 Topic: Toilet Facilities – Multi-User All-Gender

CURRENT CODE LANGUAGE

11B-213 Toilet facilities and bathing facilities

11B-213.1 General. Where toilet facilities and bathing facilities are provided...

11B-213.2 Toilet rooms and bathing rooms. Where toilet rooms are provided...

11B-213.2.1 Unisex (single-user or family) toilet and unisex (single-user or family) bathing rooms. Unisex (single-user or family) toilet rooms...

11B-213.2.2 Unisex (Patient) toilet rooms in medical care and long-term care facilities. Common-use unisex toilet rooms...

11B-213.2.3 Unisex (Patient) bathing rooms in medical care and long-term care facilities. Common-use unisex bathing rooms...

11B-213.3 Plumbing fixtures and accessories. Plumbing fixtures and accessories provided in a toilet room or bathing room...

11B-213.3.1 Toilet compartments. Where toilet compartments are provided, at least five percent of the toilet compartments, or five percent of the combination of toilet compartments and urinals, but no fewer than one toilet compartment shall comply with Section 11B-604.8.1. In addition to the compartments required to comply with Section 11B-604.8.1, where six or more toilet compartments are provided, or where the combination of urinals and water closets totals six or more fixtures, toilet compartments complying with Section 11B-604.8.2 shall be provided in the same quantity as the toilet compartments required to comply with Section 11B-604.8.1.

11B-213.3.2 Water closets. Where water closets are provided...

11B-213.3.3 Urinals. Where one or more urinals are provided, at least 10 percent but no fewer than one shall comply with Section 11B-605.

SUGGESTED TEXT OF PROPOSED AMENDMENT

11B-213 Toilet facilities and bathing facilities

11B-213.1 General. Where toilet facilities and bathing facilities are provided...

11B-213.2 Toilet rooms and bathing rooms. Where toilet rooms are provided...

11B-213.2.1 Unisex (single-user or family) toilet and unisex (single-user or family) bathing rooms. Unisex (single-user or family) toilet rooms...

11B-213.2.2 Unisex (Patient) toilet rooms in medical care and long-term care facilities. Common-use unisex toilet rooms...

11B-213.2.3 Unisex (Patient) bathing rooms in medical care and long-term care facilities. Common-use unisex bathing rooms...

11B-213.2.4 Multi-user all-gender toilet facilities. Where multi-user all-gender toilet facilities are provided, they shall comply with Section 11B-213.3.1.

11B-213.3 Plumbing fixtures and accessories. Plumbing fixtures and accessories provided in a toilet room or bathing room...

11B-213.3.1 Toilet compartments and urinal compartments. Where only toilet compartments are provided, they shall comply with Section 11B-213.3.1.1. Where both toilet and urinal compartments are provided, they shall comply with Section 11B-213.3.1.2

11B-213.3.1.1 Toilet compartments. Where toilet compartments are provided, at least five percent of the toilet compartments, or five percent of the combination of toilet compartments and urinals, but no fewer than one toilet compartment shall comply with Section 11B-604.8.1. In addition to the compartments required to comply with Section 11B-604.8.1, where six or more toilet compartments are provided, or where the combination of urinals and water closets totals six or more fixtures, toilet compartments complying with Section 11B-604.8.2 shall be provided in the same quantity as the toilet compartments required to comply with Section 11B-604.8.1.

11B-213.3.1.2 Toilet compartments and urinal compartments. Where both toilet compartments and urinal compartments are provided, at least five percent of toilet compartments, but no fewer than one, shall comply with Section 11B-604.8.1 and at least ten percent of urinal compartments, but no fewer than one, shall comply with Section 11B-605.5. In addition to the toilet compartments required to comply with Section 11B-604.8.1 and urinal compartments required to comply with Section 11B-605.5, where the combination of urinals and water closets totals six or more fixtures, toilet compartments complying with Section 11B-604.8.2 shall be provided in the same quantity as the toilet compartments required to comply with Section 11B-604.8.1. At all compartments not required to comply with Section 11B-604.8 or Section 11B-605.5, compartment doors shall be in-swinging and self-closing. All individual compartments shall be identified with a sign complying with Section 11B-216.8.3.

11B-213.3.2 Water closets. Where water closets are provided...

11B-213.3.3 Urinals. Where one or more urinals are provided, at least 10 percent but no fewer than one shall comply with Section 11B-605.

11B-213.3.4 Lavatories. Where lavatories are provided, at least 10 percent but no fewer than one shall comply with Section 11B-606 and shall not be located in a toilet or urinal compartment.

CODE TEXT IF ADOPTED

11B-213 Toilet facilities and bathing facilities

11B-213.1 General. Where toilet facilities and bathing facilities are provided...

11B-213.2 Toilet rooms and bathing rooms. Where toilet rooms are provided...

11B-213.2.1 Unisex (single-user or family) toilet and unisex (single-user or family) bathing rooms. Unisex (single-user or family) toilet rooms...

11B-213.2.2 Unisex (Patient) toilet rooms in medical care and long-term care facilities. Common-use unisex toilet rooms...

11B-213.2.3 Unisex (Patient) bathing rooms in medical care and long-term care facilities. Common-use unisex bathing rooms...

11B-213.2.4 Multi-user all-gender toilet facilities. Where multi-user all-gender toilet facilities are provided, they shall comply with Section 11B-213.3.1.

11B-213.3 Plumbing fixtures and accessories. Plumbing fixtures and accessories provided in a toilet room or bathing room...

11B-213.3.1 Toilet compartments and urinal compartments. Where only toilet compartments are provided, they shall comply with Section 11B-213.3.1.1. Where both toilet and urinal compartments are provided, they shall comply with Section 11B-213.3.1.2

11B-213.3.1.1 Toilet compartments. Where toilet compartments are provided, at least five percent of the toilet compartments, or five percent of the combination of toilet compartments and urinals, but no fewer than one toilet compartment shall comply with Section 11B-604.8.1. In addition to the compartments required to comply with Section 11B-604.8.1, where six or more toilet compartments are provided, or where the combination of urinals and water closets totals six or more fixtures, toilet compartments complying with Section 11B-604.8.2 shall be provided in the same quantity as the toilet compartments required to comply with Section 11B-604.8.1.

11B-213.3.1.2 Toilet compartments and urinal compartments. Where both toilet compartments and urinal compartments are provided, at least five percent of toilet compartments, but no fewer than one, shall comply with Section 11B-604.8.1 and at least ten percent of urinal compartments, but no fewer than one, shall comply with Section 11B-605.5. In addition to the toilet compartments required to comply with Section 11B-604.8.1 and urinal compartments required to comply with Section 11B-605.5, where the combination of urinals and water closets totals six or more fixtures, toilet compartments complying with Section 11B-604.8.2 shall be provided in the same quantity as the toilet compartments required to comply with Section 11B-604.8.1. At all compartments not required to comply with Section 11B-604.8 or Section 11B-605.5, compartment doors shall be in-swinging and self-closing. All individual compartments shall be identified with a sign complying with Section 11B-216.8.3.

11B-213.3.2 Water closets. Where water closets are provided...

11B-213.3.3 Urinals. Where one or more urinals are provided, at least 10 percent but no fewer than one shall comply with Section 11B-605.

11B-213.3.4 Lavatories. Where lavatories are provided, at least 10 percent but no fewer than one shall comply with Section 11B-606 and shall not be located in a toilet or urinal compartment.

STATEMENT OF REASONS

The California Building Standards Commission and DSA are proposing code amendments to the California Plumbing Code requirements to accommodate the design of multi-user all-gender toilet facilities. A significant aspect of this type of toilet room design is the option to provide privacy at toilet and urinal fixtures by locating them within ~~privacy~~ compartments.

Current requirements in CBC Chapter 11B provide accessibility at toilets within compartments for any user group; however, there are no current scoping or technical requirements for accessible urinal compartments.

DSA is proposing scoping requirements for accessible urinal compartments as ten percent of the total number of urinal compartments, but no fewer than one. This ratio is identical to the current scoping requirements for urinals that are not located in urinal compartments.

DSA is also proposing requirements that will assure sufficient clear floor space and maneuvering space within accessible urinal compartments so that a person using a mobility device can enter the compartment, use the urinal, turn around, and exit the compartment.

This item is related to Item 14 and Item 15

DSA COMMENTS



DSA CODE AMENDMENT DEVELOPMENT

TRACKING

Date Received:
 DSA Tracking Number: 10
 Date Reviewed: February 23, 2023
 Status: Post CAC

APPLICABLE CODE

Applicable Code Section(s): CBC Chapter 11B, Section 11B-216.5
 Topic: Electric Vehicle Charging Facility Signs

CURRENT CODE LANGUAGE

11B-216.5 Parking. *Signs identifying parking spaces and signs within parking facilities shall comply with Section 11B-216.5.*

11B-216.5.1 Parking spaces. *Parking spaces complying with Section 11B-502 shall be identified by signs complying with Sections 11B-502.6 and 11B-502.8.*

Exceptions:

1. **Reserved.**
2. In residential facilities, where parking spaces are assigned to specific residential dwelling units, identification of accessible parking spaces shall not be required.

11B-216.5.2 Parking facilities. *Signs within parking facilities shall comply with Section 11B-216.5.2.*

11B-216.5.2.1 Signs intended for use by pedestrians. *Signs intended for use by pedestrians within parking facilities, including directional or informational signs indicating parking sections or levels, shall comply with the requirements of Section 11B-216.*

11B-216.5.2.2 Additional signs. *Signs within parking facilities containing parking spaces complying with Section 11B-502 shall comply with Section 11B-502.8.*

SUGGESTED TEXT OF PROPOSED AMENDMENT

11B-216.5 Parking and electric vehicle charging facilities. *Signs identifying parking spaces and signs within parking facilities shall comply with Section 11B-216.5. Signs identifying electric vehicle charging spaces and signs within electric vehicle charging facilities shall comply with Section 11B-216.5.*

11B-216.5.1 Parking spaces. *Parking spaces complying with Section 11B-502 shall be identified by signs complying with Sections 11B-502.6 and 11B-502.8.*

Exceptions:

1. **Reserved.**

2. In residential facilities, where parking spaces are assigned to specific residential dwelling units, identification of accessible parking spaces shall not be required.

11B-216.5.2 Electric vehicle charging spaces. *Signs identifying Electric Vehicle Charging Spaces shall comply with Section 11B-812.8.*

11B-216.5.2 11B-216.5.3 Parking and electric vehicle charging facilities. *Signs within parking and charging facilities shall comply with Section 11B-216.5.2 11B-216.5.3.*

11B-216.5.2.1 11B-216.5.3.1 Signs intended for use by pedestrians. *Signs intended for use by pedestrians within parking and charging facilities, including directional or informational signs indicating parking sections or levels, shall comply with the requirements of Section 11B-216.*

11B-216.5.2.2 11B-216.5.3.2 Additional signs. *Signs within parking facilities containing parking spaces complying with Section 11B-502 shall comply with Section 11B-502.8.*

CODE TEXT IF ADOPTED

11B-216.5 Parking and electric vehicle charging facilities. *Signs identifying parking spaces and signs within parking facilities shall comply with Section 11B-216.5. Signs identifying electric vehicle charging spaces and signs within electric vehicle charging facilities shall comply with Section 11B-216.5.*

11B-216.5.1 Parking spaces. *Parking spaces complying with Section 11B-502 shall be identified by signs complying with Sections 11B-502.6 and 11B-502.8.*

Exceptions:

1. **Reserved.**
2. In residential facilities, where parking spaces are assigned to specific residential dwelling units, identification of accessible parking spaces shall not be required.

11B-216.5.2 Electric vehicle charging spaces. *Signs identifying electric vehicle charging spaces shall comply with Section 11B-812.8.*

11B-216.5.3 Parking and electric vehicle charging facilities. *Signs within parking and charging facilities shall comply with Section 11B-216.5.3.*

11B-216.5.3.1 Signs intended for use by pedestrians. *Signs intended for use by pedestrians within parking and charging facilities, including directional or informational signs indicating parking sections or levels, shall comply with the requirements of Section 11B-216.*

11B-216.5.3.2 Additional signs. *Signs within parking facilities containing parking spaces complying with Section 11B-502 shall comply with Section 11B-502.8.*

STATEMENT OF REASONS

No reference to signs for electric vehicle charging spaces currently exists in scoping Section 11B-216. DSA proposes to add a reference to the existing technical requirements in Section 11B-812. This allows the requirements to be referenced from either the scoping section for signs or the scoping section for Electric Vehicle Charging Stations.

DSA COMMENTS



DSA CODE AMENDMENT DEVELOPMENT

TRACKING

Date Received:
DSA Tracking Number: 11
Date Reviewed: February 23, 2023
Status: Post CAC

APPLICABLE CODE

Applicable Code Section(s): CBC Chapter 11B, Section 11B-233.3.1.2
Topic: Residential Dwelling Units with Adaptable Features

CURRENT CODE LANGUAGE

11B-233 Public housing facilities

11B-233.1 General. Public housing facilities...

11B-233.2 Reserved.

11B-233.3 Public housing facilities. Public housing...

11B-233.3.1 Minimum number: new construction. Newly constructed...

11B-233.3.1.1 Residential dwelling units with mobility features. In facilities with...

11B-233.3.1.2 Residential dwelling units with adaptable features. In facilities with residential dwelling units, adaptable residential dwelling units complying with Sections 11B-809.6 through 11B-809.12 shall be provided as required by Sections 11B-233.3.1.2.1 through 11B-233.3.1.2.6. Adaptable residential dwelling units shall be on an accessible route as required by Section 11B-206.

Exception: The number of required adaptable residential dwelling units shall be reduced by the number of units required by Section 11B-233.3.1.1.

11B-233.3.1.2.1 Elevator buildings. Residential dwelling units on floors served by an elevator shall be adaptable.

11B-233.3.1.2.2 Non-elevator buildings. Ground floor residential dwelling units in non-elevator buildings shall be adaptable.

11B-233.3.1.2.3 Ground floors above grade. Where the first floor in a building containing residential dwelling units is a floor above grade, all units on that floor shall be adaptable.

11B-233.3.1.2.4 Multistory residential dwelling units in buildings with one or more elevators. In elevator buildings, facilities with multistory residential dwelling units shall comply with the following:

1. The primary entry of the multistory residential dwelling unit shall be on an accessible route on the floor served by the elevator.

2. At least one powder room or bathroom and kitchen shall be located on the primary entry level.
3. Rooms or spaces located on the primary entry level shall be served by an accessible route and comply with Sections 11B-809.6 through 11B-809.12.

11B-233.3.1.2.5 Multistory residential dwelling units in buildings with no elevator. In non-elevator buildings, a minimum of 10 percent but not less than one of the ground floor multistory residential dwelling units shall be calculated using the total number of multistory residential dwelling units in buildings on a site and shall comply with the following:

1. The primary entry of the multistory residential dwelling unit shall be on an accessible route.
2. At least one powder room or bathroom and kitchen shall be located on the primary entry level.
3. Rooms or spaces located on the primary entry level shall be served by an accessible route and comply with Sections 11B-809.6 through 11B-809.12.

11B-233.3.1.2.6 Public housing facility site impracticality. ...

11B-233.3.1.3 Residential dwelling units with communication features. In public housing facilities with residential dwelling units, at least 2 percent, but no fewer than one unit, of the total number of residential dwelling units shall provide communication features complying with Section 11B-809.5.

SUGGESTED TEXT OF PROPOSED AMENDMENT

11B-233 Public housing facilities

11B-233.1 General. Public housing facilities...

11B-233.2 Reserved.

11B-233.3 Public housing facilities. Public housing...

11B-233.3.1 Minimum number: new construction. Newly constructed...

11B-233.3.1.1 Residential dwelling units with mobility features. In facilities with...

11B-233.3.1.2 Residential dwelling units with adaptable features. In facilities with buildings with three or more residential dwelling units, adaptable residential dwelling units complying with Sections 11B-809.6 through 11B-809.12 shall be provided as required by Sections 11B-233.3.1.2.1 through 11B-233.3.1.2.6. Adaptable residential dwelling units shall be on an accessible route as required by Section 11B-206.

Exception: The number of required adaptable residential dwelling units shall be reduced by the number of units required by Section 11B-233.3.1.1.

11B-233.3.1.2.1 Elevator buildings. A residential building with one or more elevators shall have an elevator serve all floors with a residential dwelling unit entrance and all floors with common use spaces. Elevators shall comply with Section 11B-407. Residential dwelling units on floors served by an elevator shall be adaptable.

Exceptions:

1. A building with only an elevator that serves a parking garage or building entry level not containing residential dwelling units to the first ground floor above grade containing residential dwelling units.
2. A building with a multi-story residential dwelling unit with an elevator within the unit.

11B-233.3.1.2.2 Non-elevator buildings. Ground floor residential dwelling units. ~~Ground floor residential dwelling units in non-elevator buildings shall be adaptable. A building may have one or more ground floors.~~

11B-233.3.1.2.3 Ground floors above grade. Where the first floor in a building containing residential dwelling units is a floor above grade, all units on that floor shall be adaptable.

11B-233.3.1.2.4 Multistory residential dwelling units in buildings with one or more elevators. In elevator buildings, facilities with multistory residential dwelling units shall comply with the following:

1. The primary entry of the multistory residential dwelling unit shall be on an accessible route on the floor served by the elevator.
2. At least one powder room or bathroom and kitchen shall be located on the primary entry level.
3. Rooms or spaces located on the primary entry level shall be served by an accessible route and comply with Sections 11B-809.6 through 11B-809.12.

11B-233.3.1.2.5 Multistory residential dwelling units in buildings with no elevator. In non-elevator buildings, a minimum of 10 percent but not less than one of the ground floor multistory residential dwelling units shall be calculated using the total number of multistory residential dwelling units in buildings on a site and shall comply with the following:

1. The primary entry of the multistory residential dwelling unit shall be on an accessible route.
2. At least one powder room or bathroom and kitchen shall be located on the primary entry level.
3. Rooms or spaces located on the primary entry level shall be served by an accessible route and comply with Sections 11B-809.6 through 11B-809.12.

11B-233.3.1.2.6 Public housing facility site impracticality. ...

11B-233.3.1.3 Residential dwelling units with communication features. In public housing facilities with residential dwelling units, at least 2 percent, but no fewer than one unit, of the total number of residential dwelling units shall provide communication features complying with Section 11B-809.5.

CODE TEXT IF ADOPTED

11B-233 Public housing facilities

11B-233.1 General. Public housing facilities...

11B-233.2 Reserved.

11B-233.3 Public housing facilities. Public housing...

11B-233.3.1 Minimum number: new construction. Newly constructed...

11B-233.3.1.1 Residential dwelling units with mobility features. In facilities with...

11B-233.3.1.2 Residential dwelling units with adaptable features. In buildings with three or more residential dwelling units, adaptable residential dwelling units complying with Sections 11B-809.6 through 11B-809.12 shall be provided as required by Sections 11B-233.3.1.2.1 through 11B-233.3.1.2.6. Adaptable residential dwelling units shall be on an accessible route as required by Section 11B-206.

Exception: The number of required adaptable residential dwelling units shall be reduced by the number of units required by Section 11B-233.3.1.1.

11B-233.3.1.2.1 Elevator buildings. A residential building with one or more elevators shall have an elevator serve all floors with a residential dwelling unit entrance and all floors with common use spaces. Elevators shall comply with Section 11B-407. Residential dwelling units on floors served by an elevator shall be adaptable.

Exceptions:

1. A building with only an elevator that serves a parking garage or building entry level not containing residential dwelling units to the first ground floor above grade containing residential dwelling units.
2. A building with a multi-story residential dwelling unit with an elevator within the unit.

11B-233.3.1.2.2 Ground floor residential dwelling units. Ground floor residential dwelling units shall be adaptable. A building may have one or more ground floors.

11B-233.3.1.2.3 Ground floors above grade. Where the first floor in a building containing residential dwelling units is a floor above grade, all units on that floor shall be adaptable.

11B-233.3.1.2.4 Multistory residential dwelling units in buildings with one or more elevators. In elevator buildings, facilities with multistory residential dwelling units shall comply with the following:

1. The primary entry of the multistory residential dwelling unit shall be on an accessible route on the floor served by the elevator.
2. At least one powder room or bathroom and kitchen shall be located on the primary entry level.
3. Rooms or spaces located on the primary entry level shall be served by an accessible route and comply with Sections 11B-809.6 through 11B-809.12.

11B-233.3.1.2.5 Multistory residential dwelling units in buildings with no elevator. In non-elevator buildings, a minimum of 10 percent but not less than one of the ground floor multistory residential dwelling units shall be calculated using the total number of multistory residential dwelling units in buildings on a site and shall comply with the following:

1. The primary entry of the multistory residential dwelling unit shall be on an accessible route.

2. *At least one powder room or bathroom and kitchen shall be located on the primary entry level.*
3. *Rooms or spaces located on the primary entry level shall be served by an accessible route and comply with Sections 11B-809.6 through 11B-809.12.*

11B-233.3.1.2.6 Public housing facility site impracticality. ...

11B-233.3.1.3 Residential dwelling units with communication features. In *public housing* facilities with residential dwelling units, at least 2 percent, but no fewer than one unit, of the total number of residential dwelling units shall provide communication features complying with *Section 11B-809.5*.

STATEMENT OF REASONS

Due to an unintentional oversight during the 2021 Triennial Code Adoption Cycle, DSA neglected to include adjustments to CBC Section 11B-233.3.1.2 (Residential dwelling units with adaptable features) when requirements were transferred from Chapter 11A to Chapter 11B. DSA is proposing to amend the applicability of Section 11B-233.3.1.2 to be consistent with the applicability in its previous location under CBC Chapter 11A – buildings with three or more residential dwelling units.

This proposal also addresses a second issue. It is unclear when a building is considered an elevator building and current requirements for adaptable units in public housing are unclear and could lead to fewer adaptable units than required by the Fair Housing Act in an instance when units are on a floor that may not be directly served by an elevator. This proposal to clarify that all residential units on an accessible route are to be adaptable except for those units designed with mobility features.

DSA COMMENTS



DSA CODE AMENDMENT DEVELOPMENT

TRACKING

Date Received:
DSA Tracking Number: 12
Date Reviewed: February 23, 2023
Status: Post CAC

APPLICABLE CODE

Applicable Code Section(s): CBC Chapter 11B, Section 11B-249.1
Topic: Adult Changing Facilities, Alterations

CURRENT CODE LANGUAGE

11B-249 Adult changing facilities
11B-249.1 General. *Adult changing facilities ...*
11B-249.1.1 *Where adult changing facilities ...*
11B-249.1.2 *Newly constructed ...*

SUGGESTED TEXT OF PROPOSED AMENDMENT

11B-249 Adult changing facilities
11B-249.1 General. *Adult changing facilities ...*
11B-249.1.1 *Where adult changing facilities ...*
11B-249.1.2 *Newly constructed ...*
11B-249.1.3 *On or after January 1, 2025, alterations to existing commercial places of public amusement which require a permit or for which the estimated cost is ten thousand dollars (\$10,000) or more shall provide no fewer than one adult changing facility in compliance with Section 11B-813.*
Exception: Existing commercial places of public amusement with an existing adult changing facility in compliance with Section 11B-813 shall not be required to provide additional adult changing facilities.

CODE TEXT IF ADOPTED

11B-249 Adult changing facilities
11B-249.1 General. *Adult changing facilities ...*
11B-249.1.1 *Where adult changing facilities ...*
11B-249.1.2 *Newly constructed ...*

11B-249.1.3 *On or after January 1, 2025, alterations to existing commercial places of public amusement which require a permit or for which the estimated cost is ten thousand dollars (\$10,000) or more shall provide no fewer than one adult changing facility in compliance with Section 11B-813.*

Exception: *Existing commercial places of public amusement with an existing adult changing facility in compliance with Section 11B-813 shall not be required to provide additional adult changing facilities.*

STATEMENT OF REASONS

DSA proposes to add scoping to provide adult changing facilities at existing public amusement facilities. Currently Chapter 11B only requires adult changing facilities at newly constructed places of public amusement. California Health and Safety Code Section 19952.5 requires adult changing facilities at both newly constructed and facilities renovated on or after January 1, 2025. DSA proposes to align the requirements of Chapter 11B with this Health and Safety Code section by adding additional scoping for projects undertaken at existing facilities.

DSA COMMENTS

Health and Safety Code 19952.5:

(a) A person, private firm, organization, or corporation that owns or manages a commercial place of public amusement shall install and maintain at least one adult changing station for persons with a physical disability that is accessible to both men and women when the facility is open to the public, if either of the following occur:

(1) The commercial place of public amusement is newly constructed on or after January 1, 2020.

(2)(A) When an existing commercial place of public amusement is renovated on or after January 1, 2025, and requires a permit or the estimated cost of the renovation is ten thousand dollars (\$10,000) or more.

(B) A commercial place of public amusement with an enclosed restroom facility or other similar private facility with an adult changing table in use before January 1, 2025, shall be deemed to comply with this paragraph.

(b) A facility shall ensure that the entrance to each adult changing station has conspicuous signage indicating the location of the station, and, if the facility has a central directory, shall ensure that the central directory indicates the location of the adult changing station.



DSA CODE AMENDMENT DEVELOPMENT

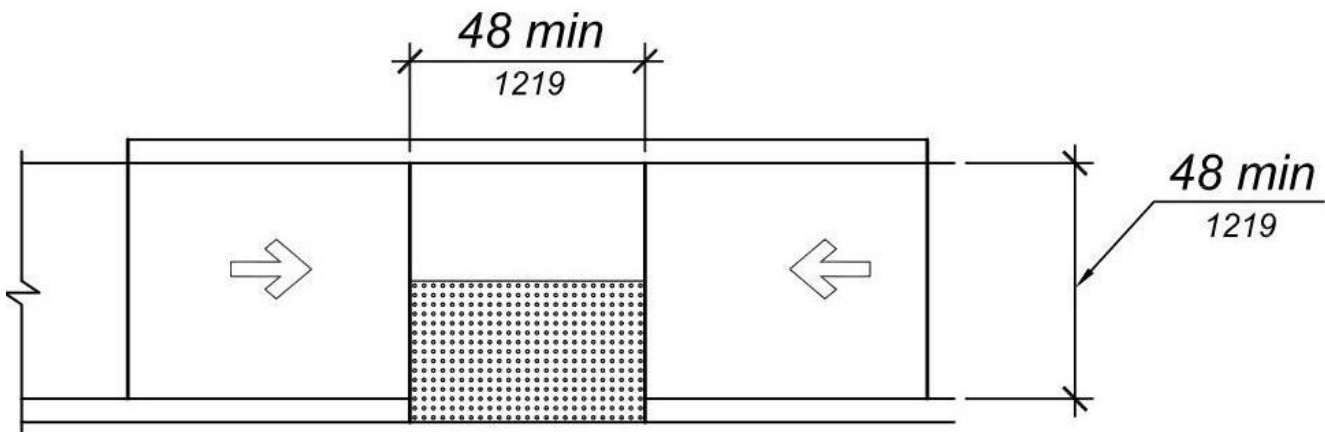
TRACKING

Date Received:
DSA Tracking Number: 13
Date Reviewed: February 23, 2023
Status: Post CAC

APPLICABLE CODE

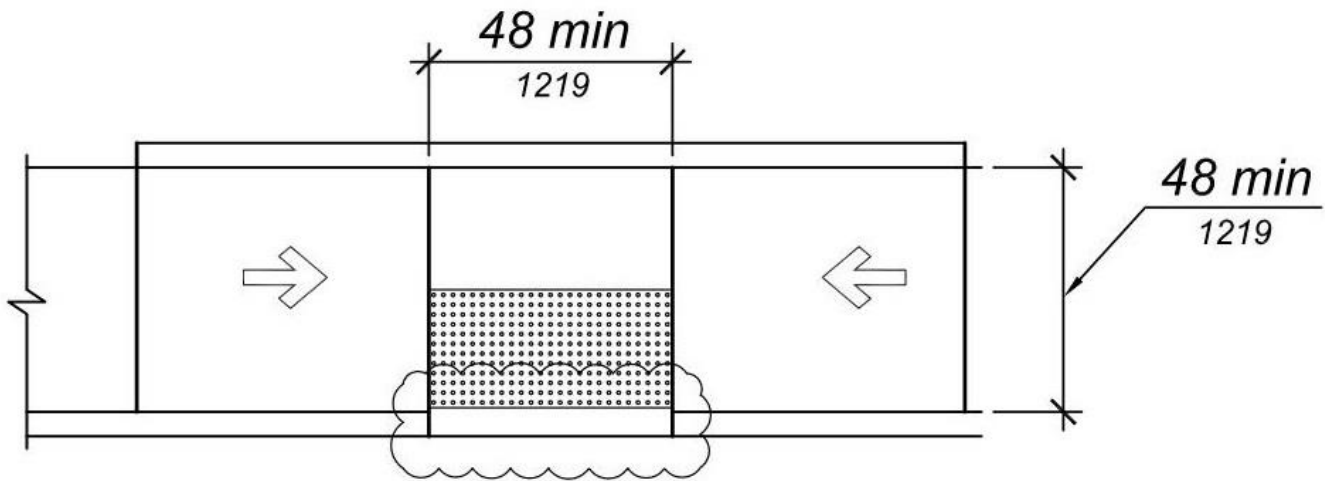
Applicable Code Section(s): CBC Chapter 11B, Section 11B-406.3.2
Topic: Parallel Curb Ramps

CURRENT CODE LANGUAGE



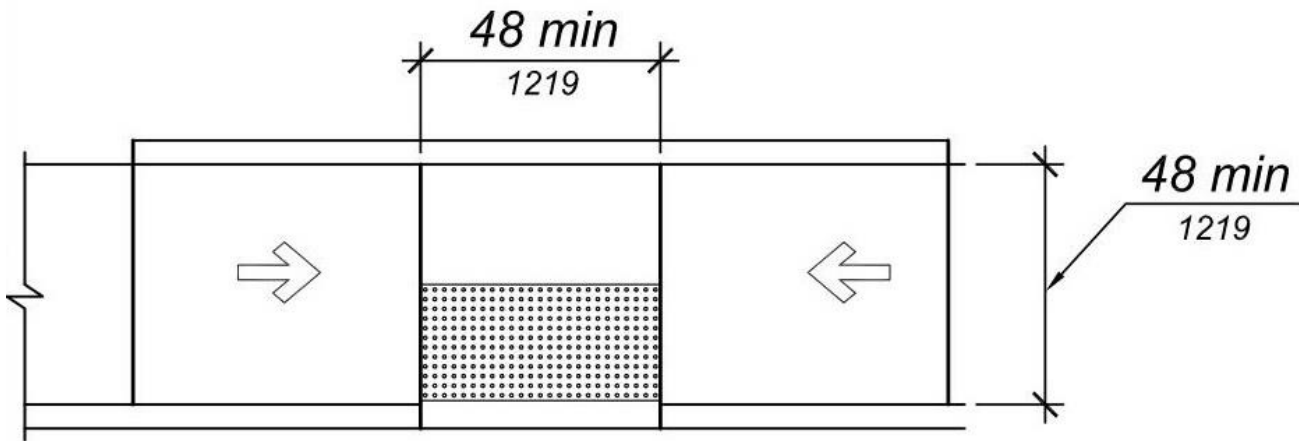
**FIGURE 11B-406.3.2
PARALLEL CURB RAMPS**

SUGGESTED TEXT OF PROPOSED AMENDMENT



**FIGURE 11B-406.3.2
PARALLEL CURB RAMPS**

CODE TEXT IF ADOPTED



**FIGURE 11B-406.3.2
PARALLEL CURB RAMPS**

STATEMENT OF REASONS

The location of detectable warnings at a parallel curb ramp bottom landing was changed in Section 11B-705.1.2.2.2 Parallel Curb Ramps, during the 2019 Intervening Code Adoption Cycle, to require detectable warnings to be located 6 to 8 inches back from the face of the curb. The corresponding figure for Section 11B-705.1.2.2.2 was updated, but the Figure 11B-406.3.2 was not updated and currently shows the detectable warnings at the face of curb. This change is proposed to correct the location of the detectable warnings to reflect the code language and make the two figures consistent.

DSA COMMENTS



DSA CODE AMENDMENT DEVELOPMENT

TRACKING

Date Received:
 DSA Tracking Number: 14
 Date Reviewed: February 23, 2023
 Status: Post CAC

APPLICABLE CODE

Applicable Code Section(s): CBC Chapter 11B, Section 11B-604.8
 Topic: Toilet Compartments

CURRENT CODE LANGUAGE

11B-604 Water closets and toilet compartments

...

11B-604.8 Toilet compartments. Wheelchair accessible toilet compartments shall ...

11B-604.8.1 Wheelchair accessible compartments. Wheelchair accessible compartments shall ...

11B-604.8.1.2 Doors. Toilet compartment doors, including door hardware, shall...

The door shall be self-closing. A door pull complying with *Section 11B-404.2.7* shall be placed on both sides of the door near the latch. *Doors shall not swing into the clear floor space or clearance required for any fixture. Doors may swing into that portion of maneuvering space which does not overlap the clearance required at a water closet.*

Exception: *When located at the side of a toilet compartment, the toilet compartment door opening shall provide a clear width of 34 inches (864 mm) minimum.*

...

11B-604.8.2 Ambulatory accessible compartments. Ambulatory accessible compartments shall ...

11B-604.8.2.1 Size. Ambulatory accessible compartments shall have a depth of 60 inches (1524 mm) minimum and a width of 35 inches (889 mm) minimum and 37 inches (940 mm) maximum.

11B-604.8.2.2 Doors. Toilet compartment doors, including door hardware, shall comply with Section 11B-404, except that if the approach is to the latch side of the compartment door, clearance between the door side of the compartment and any obstruction shall be *44 inches (1118 mm)* minimum. The door shall be self-closing. A door pull complying with *Section 11B-404.2.7* shall be placed on both sides of the door near the latch. Toilet compartment doors shall not swing into the minimum required compartment area.

...

SUGGESTED TEXT OF PROPOSED AMENDMENT

11B-604 Water closets and toilet compartments

...

11B-604.8 Toilet compartments. Wheelchair accessible toilet compartments shall ...

11B-604.8.1 Wheelchair accessible compartments. Wheelchair accessible compartments shall ...

11B-604.8.1.2 Doors. Toilet compartment doors, including door hardware, shall ...

The door shall be self-closing and have a privacy latch. A door pull complying with Section 11B-404.2.7 shall be placed on both sides of the door near the latch. Doors shall not swing into the clear floor space or clearance required for any fixture. Doors may swing into that portion of maneuvering space which does not overlap the clearance required at a water closet.

Exception: When located at the side of a toilet compartment, the toilet compartment door opening shall provide a clear width of 34 inches (864 mm) minimum.

...

11B-604.8.2 Ambulatory accessible compartments. Ambulatory accessible compartments shall ...

11B-604.8.2.1 Size. Ambulatory accessible compartments shall have a depth of 60 inches (1524 mm) minimum and a width of 35 inches (889 mm) minimum and 37 inches (940 mm) maximum.

11B-604.8.2.2 Doors. Toilet compartment doors, including door hardware, shall comply with Section 11B-404, except that if the approach is to the latch side of the compartment door, clearance between the door side of the compartment and any obstruction shall be 44 inches (1118 mm) minimum. The door shall be self-closing and have a privacy latch. A door pull complying with Section 11B-404.2.7 shall be placed on both sides of the door near the latch. Toilet compartment doors shall not swing into the minimum required compartment area.

CODE TEXT IF ADOPTED

11B-604 Water closets and toilet compartments

...

11B-604.8 Toilet compartments. Wheelchair accessible toilet compartments shall ...

11B-604.8.1 Wheelchair accessible compartments. Wheelchair accessible compartments shall ...

11B-604.8.1.2 Doors. Toilet compartment doors, including door hardware, shall ...

The door shall be self-closing and have a privacy latch. A door pull complying with Section 11B-404.2.7 shall be placed on both sides of the door near the latch. Doors shall not swing into the clear floor space or clearance required for any fixture. Doors may swing into that portion of maneuvering space which does not overlap the clearance required at a water closet.

Exception: When located at the side of a toilet compartment, the toilet compartment door opening shall provide a clear width of 34 inches (864 mm) minimum.

...

11B-604.8.2 Ambulatory accessible compartments. Ambulatory accessible compartments shall ...

11B-604.8.2.1 Size. Ambulatory accessible compartments shall have a depth of 60 inches (1524 mm) minimum and a width of 35 inches (889 mm) minimum and 37 inches (940 mm) maximum.

11B-604.8.2.2 Doors. Toilet compartment doors, including door hardware, shall comply with Section 11B-404, except that if the approach is to the latch side of the compartment door, clearance between the door side of the compartment and any obstruction shall be *44 inches (1118 mm)* minimum. The door shall be self-closing *and have a privacy latch*. A door pull complying with *Section 11B-404.2.7* shall be placed on both sides of the door near the latch. Toilet compartment doors shall not swing into the minimum required compartment area.

STATEMENT OF REASONS

Though privacy latches are commonly provided at accessible and non-accessible water closet compartments, there currently are no scoping or technical provisions in Chapter 11B requiring privacy latches in wheelchair accessible and ambulatory accessible compartments within multi-user toilet rooms.

In this item, DSA is proposing technical provisions in Chapter 11B requiring privacy latches in wheelchair accessible and ambulatory accessible compartments within multi-user toilet rooms. The provision of privacy latches enhances security and privacy for users.

This item is related to Item 9.

DSA COMMENTS



DSA CODE AMENDMENT DEVELOPMENT

TRACKING

Date Received:
DSA Tracking Number: 15
Date Reviewed: February 23, 2023
Status: Post CAC

APPLICABLE CODE

Applicable Code Section(s): CBC Chapter 11B, Section 11B-605
Topic: Urinal Compartments

CURRENT CODE LANGUAGE

11B-605 Urinals

11B-605.1 General. Urinals shall comply with *Section 11B-605*.

11B-605.2 Height and depth. Urinals shall be...

11B-605.3 Clear floor space. A clear floor or ground space complying with *Section 11B-305* positioned for forward approach shall be provided.

11B-605.4 Flush controls. Flush controls shall be hand operated or automatic. Hand operated flush controls shall comply with *Section 11B-309* except that the flush control shall be mounted at a maximum height of 44 inches (1118 mm) above the finish floor.

SUGGESTED TEXT OF PROPOSED AMENDMENT

11B-605 Urinals

11B-605.1 General. Urinals *not provided in urinal compartments* shall comply with ~~*Section 11B-605*~~ *Sections 11B-605.1 through 11B-605.4*. *Urinals provided in urinal compartments shall comply with Sections 11B-605.1 through 11B-605.5.*

11B-605.2 Height and depth. Urinals shall be...

11B-605.3 Clear floor space. A clear floor or ground space complying with *Section 11B-305* positioned for forward approach shall be provided.

11B-605.4 Flush controls. Flush controls shall be hand operated or automatic. Hand operated flush controls shall comply with *Section 11B-309* except that the flush control shall be mounted at a maximum height of 44 inches (1118 mm) above the finish floor. *Urinals provided in urinal compartments shall have hand operated flush controls located on the open side of the urinal.*

11B-605.5 Urinal compartments. *Wheelchair accessible urinal compartments shall comply with 11B-605.5. Compartments containing more than one plumbing fixture shall comply with Section 11B-603.*

11B-605.5.1 Urinal location. Urinals in compartments shall have the centerline of the urinal located 17 inches (432 mm) minimum to 18 inches (457 mm) maximum from the side wall or partition. Urinals shall be arranged for a left-hand or right-hand approach.

11B-605.5.2 Maneuvering clearance. A minimum 66 inches (1676 mm) wide and 66 inches (1676 mm) deep maneuvering space shall be provided in front of the urinal. A turning space complying with Section 11B-304 shall be provided within the compartment.

Exception: Where toe clearance complying with 11B-605.5.4 is provided, the required maneuvering space in front of the urinal fixture shall be permitted to be reduced to 60 inches (1524 mm) minimum wide and 60 inches (1524 mm) minimum deep.

11B-605.5.3 Doors. Urinal compartment doors, including door hardware, shall comply with 11B-404 except that if the approach is from the push side of the compartment door, clearance between the door side of the compartment and any obstruction shall be 48 inches (1219 mm) minimum measured perpendicular to the compartment door in its closed position. Doors shall be located in the front partition or in the side wall or partition farthest from the urinal. Where located in the front partition, the door opening shall be 4 inches (102 mm) maximum from the side wall or partition farthest from the urinal. Where located in the side wall or partition, the door opening shall be 4" maximum (102 mm) from the front partition. The urinal compartment door shall be out-swinging, self-closing and have a privacy latch. Door pulls complying with Section 11B-404.2.7 shall be placed on both sides of the door near the latch. Doors shall not swing into the clear floor space at the urinal. Doors may swing into that portion of maneuvering space and turning space which does not overlap the clear floor space required at a urinal.

Exception: When located at the side wall or partition of a urinal compartment, the compartment door opening shall provide a clear width of 34 inches (864 mm) minimum.

11B-605.5.4 Toe Clearance. The front partition and at least one side partition shall provide a toe clearance of 9 inches (229 mm) minimum above the finish floor and 6 inches (152 mm) deep minimum beyond the compartment-side face of the partition, exclusive of partition support members. Partition components at toe clearances shall be smooth without sharp edges or abrasive surfaces. Compartments for children's use shall provide a toe clearance of 12 inches (305 mm) minimum above the finish floor.

Exception: Toe clearance at the front partition is not required in a compartment where the maneuvering clearance in front of the urinal is 66 inches (1676 mm) deep minimum. Toe clearance at the side partition is not required in a compartment greater than 66 inches (1676 mm) wide.

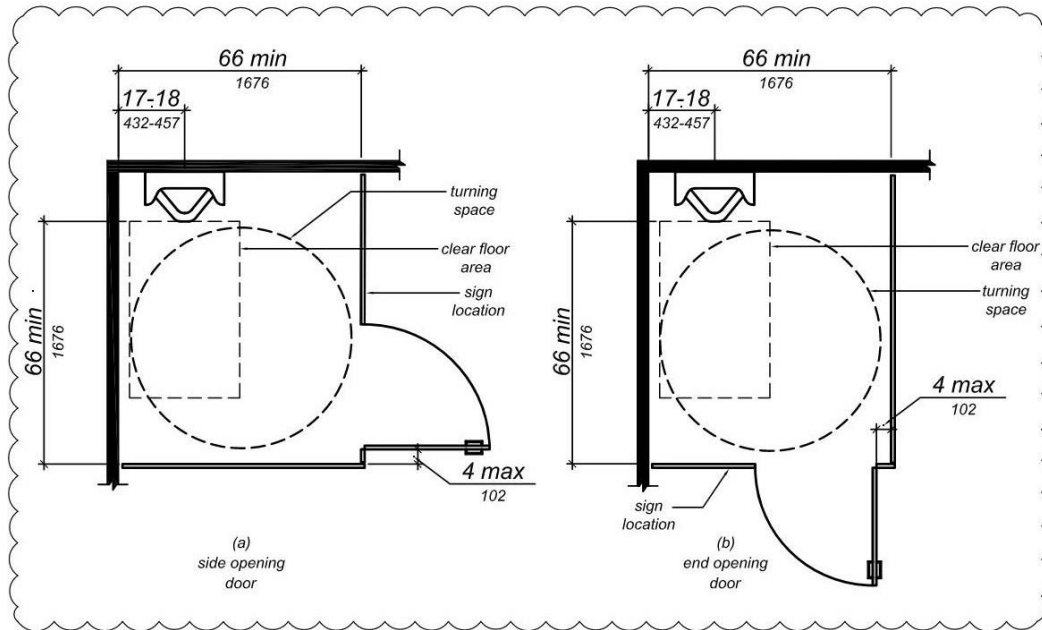


Figure 11B-605.5
Urinal Compartment

CODE TEXT IF ADOPTED

11B-605 Urinals

11B-605.1 General. Urinals *not provided in urinal compartments* shall comply with Sections 11B-605.1 through 11B-605.4. Urinals *provided in urinal compartments* shall comply with Sections 11B-605.1 through 11B-605.5.

11B-605.2 Height and depth. Urinals shall be...

11B-605.3 Clear floor space. A clear floor or ground space complying with Section 11B-305 positioned for forward approach shall be provided.

11B-605.4 Flush controls. Flush controls shall be hand operated or automatic. Hand operated flush controls shall comply with Section 11B-309 except that the flush control shall be mounted at a maximum height of 44 inches (1118 mm) above the finish floor. *Urinals provided in urinal compartments shall have hand operated flush controls located on the open side of the urinal.*

11B-605.5 Urinal compartments. *Wheelchair accessible urinal compartments shall comply with 11B-605.5. Compartments containing more than one plumbing fixture shall comply with Section 11B-603.*

11B-605.5.1 Urinal location. *Urinals in compartments shall have the centerline of the urinal located 17 inches (432 mm) minimum to 18 inches (457 mm) maximum from the side wall or partition. Urinals shall be arranged for a left-hand or right-hand approach.*

11B-605.5.2 Maneuvering clearance. *A minimum 66 inches (1676 mm) wide and 66 inches (1676 mm) deep maneuvering space shall be provided in front of the urinal. A turning space complying with Section 11B-304 shall be provided within the compartment.*

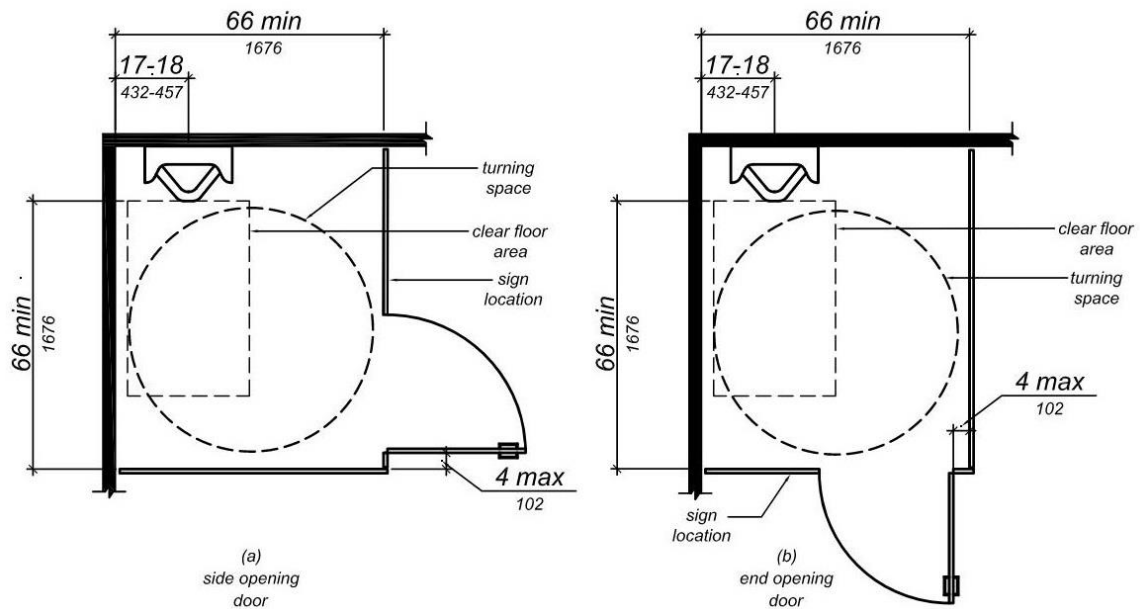
Exception: Where toe clearance complying with 11B-605.5.4 is provided, the required maneuvering space in front of the urinal fixture shall be permitted to be reduced to 60 inches (1524 mm) minimum wide and 60 inches (1524 mm) minimum deep.

11B-605.5.3 Doors. Urinal compartment doors, including door hardware, shall comply with 11B-404 except that if the approach is from the push side of the compartment door, clearance between the door side of the compartment and any obstruction shall be 48 inches (1219 mm) minimum measured perpendicular to the compartment door in its closed position. Doors shall be located in the front partition or in the side wall or partition farthest from the urinal. Where located in the front partition, the door opening shall be 4 inches (102 mm) maximum from the side wall or partition farthest from the urinal. Where located in the side wall or partition, the door opening shall be 4" maximum (102 mm) from the front partition. The urinal compartment door shall be out-swinging, self-closing and have a privacy latch. Door pulls complying with Section 11B-404.2.7 shall be placed on both sides of the door near the latch. Doors shall not swing into the clear floor space at the urinal. Doors may swing into that portion of maneuvering space and turning space which does not overlap the clear floor space required at a urinal.

Exception: When located at the side wall or partition of a urinal compartment, the compartment door opening shall provide a clear width of 34 inches (864 mm) minimum.

11B-605.5.4 Toe Clearance. The front partition and at least one side partition shall provide a toe clearance of 9 inches (229 mm) minimum above the finish floor and 6 inches (152 mm) deep minimum beyond the compartment-side face of the partition, exclusive of partition support members. Partition components at toe clearances shall be smooth without sharp edges or abrasive surfaces. Compartments for children's use shall provide a toe clearance of 12 inches (305 mm) minimum above the finish floor.

Exception: Toe clearance at the front partition is not required in a compartment where the maneuvering clearance in front of the urinal is 66 inches (1676 mm) deep minimum. Toe clearance at the side partition is not required in a compartment greater than 66 inches (1676 mm) wide.



**Figure 11B-605.5
Urinal Compartment**

STATEMENT OF REASONS

There are currently no scoping or technical requirements for accessibility in CBC Chapter 11B specific to urinals located in compartments. The California Building Standards Commission is proposing amendments to the California Plumbing Code fixture requirements to allow multi-user all-gender toilet rooms. This proposal is needed to address urinals located in compartments.

DSA is proposing scoping and technical requirements for accessibility in CBC Chapter 11B that will provide access to urinals located in compartments to include sufficient clear floor space and maneuvering space for a person using a mobility device to enter the compartment, use the urinal, turn around, and exit the compartment. A figure is proposed to illustrate the requirements.

This item is related to Items 9, 14, 17, and 18.

DSA COMMENTS



DSA CODE AMENDMENT DEVELOPMENT

TRACKING

Date Received:
DSA Tracking Number: 16
Date Reviewed: February 23, 2023
Status: Post CAC

APPLICABLE CODE

Applicable Code Section(s): CBC Chapter 11B, Section 11B-809.10.6
Topic: Showers

CURRENT CODE LANGUAGE

11B-809.10.6 Showers. Showers required by Section 11B-809.10 shall comply with this section.

11B-809.10.6.1 Size. When one or more shower stalls are provided within the same dwelling unit, as least one shower stall shall comply with one of the following:

1. A transfer type shower compartment 36 inches (914 mm) wide by 36 inches (914 mm) deep with an entrance opening 36 inches (914 mm) complying with Section 11B-608.1; or ...

SUGGESTED TEXT OF PROPOSED AMENDMENT

11B-809.10.6 Showers. Showers required by Section 11B-809.10 shall comply with this section.

11B-809.10.6.1 Size. When one or more shower stalls are provided within the same dwelling unit, as least one shower stall shall comply with one of the following:

1. A transfer type shower compartment 36 inches (914 mm) wide by 36 inches (914 mm) deep with an entrance opening 36 inches (914 mm) ~~complying with Section 11B-608.1;~~ or ...

CODE TEXT IF ADOPTED

11B-809.10.6 Showers. Showers required by Section 11B-809.10 shall comply with this section.

11B-809.10.6.1 Size. When one or more shower stalls are provided within the same dwelling unit, as least one shower stall shall comply with one of the following:

1. A transfer type shower compartment 36 inches (914 mm) wide by 36 inches (914 mm) deep with an entrance opening 36 inches (914 mm); or ...

STATEMENT OF REASONS

Current language in Section 11B-809.10.6.1 (for transfer shower compartment size) refers to compliance with Section 11B-608.1 which incorrectly requires a minimum clearance of 36 inches wide by 48 inches deep, in further reference to Sections 11B-608.2 and 11B-608.2.1. The Fair Housing Act requires clearance at showers in adaptable units to be a minimum of 30 inches wide by 48 inches deep. Existing language in Section 11B-809.10.6.3 currently requires a minimum clearance of 30 inches wide by 48 inches deep consistent with the Fair Housing Act. DSA is proposing to remove the reference to Section 11B-608.1 to correct the error.

DSA COMMENTS



DSA CODE AMENDMENT DEVELOPMENT

TRACKING

Date Received:
DSA Tracking Number: 17
Date Reviewed: February 23, 2023
Status: Post CAC

APPLICABLE CODE

Applicable Code Section(s): 11B-216.8
Topic: Toilet Room Signs

CURRENT CODE LANGUAGE

11B-216.8 Toilet rooms and bathing rooms. ...
11B-216.8.1 Geometric symbols. ...
11B-216.9 TTYs. ...

SUGGESTED TEXT OF PROPOSED AMENDMENT

11B-216.8 Toilet rooms and bathing rooms. ...

11B-216.8.1 Geometric symbols. ...

11B-216.8.2 Identification for all-gender multi-user toilet facilities. *Geometric symbols complying with Section 11B-703.7.2.6.3 shall be provided at the entrance to all-gender multi-user toilet facilities. In addition, a sign complying with Sections 11B-703.1 through 11B-703.5 shall be provided stating “ALL-GENDER MULTI-USER”.*

11B-216.8.3 Signs at toilet and urinal compartments. *Where both toilet compartments and urinal compartments are provided, each individual compartment shall be identified with a sign complying with Sections 11B-703.1 through 11B-703.5. Signs shall identify the type of fixture within the compartment, either “URINAL” or “TOILET”. A pictogram identifying the fixture type within the compartment is not permitted.*

Exception: *A sign with tactile characters shall be permitted on an in-swinging and self-closing door at compartments not required to comply with Section 11B-604 or Section 11B-605.5.*

11B-216.9 TTYs. ...

CODE TEXT IF ADOPTED

11B-216.8 Toilet rooms and bathing rooms. ...

11B-216.8.1 Geometric symbols. ...

11B-216.8.2 Identification for all-gender multi-user toilet facilities. Geometric symbols complying with Section 11B-703.7.2.6.3 shall be provided at the entrance to all-gender multi-user toilet facilities. In addition, a sign complying with Sections 11B-703.1 through 11B-703.5 shall be provided stating “ALL-GENDER MULTI-USER”.

11B-216.8.3 Signs at toilet and urinal compartments. Where both toilet compartments and urinal compartments are provided, each individual compartment shall be identified with a sign complying with Sections 11B-703.1 through 11B-703.5. Signs shall identify the type of fixture within the compartment, either “URINAL” or “TOILET”. A pictogram identifying the fixture type within the compartment is not permitted.

Exception: A sign with tactile characters shall be permitted on an in-swinging and self-closing door at compartments not required to comply with Section 11B-604 or Section 11B-605.5.

11B-216.9 TTYs. ...

STATEMENT OF REASONS

Comments received during public and focus group meetings indicated a need for signs to identify all-gender facilities. In addition, commenters identified the need to address signs on compartments where both individual toilet and urinal compartments are provided, to identify the type of fixture within each compartment. This language is to provide scoping requirements as to where and what type of signs are required, and reference to the requirements for accessible signs.

DSA COMMENTS



DSA CODE AMENDMENT DEVELOPMENT

TRACKING

Date Received:
DSA Tracking Number: 18
Date Reviewed: February 23, 2023
Status: Post CAC

APPLICABLE CODE

Applicable Code Section(s): 11B-226.4
Topic: Baby Diaper Changing Station in Urinal Compartments

CURRENT CODE LANGUAGE

11B-226.4 Baby diaper changing station. *Baby diaper changing stations shall ...
Baby diaper changing stations shall not be located in toilet compartments complying with
Section 11B-604.8 within a multiple accommodation toilet facility.*

SUGGESTED TEXT OF PROPOSED AMENDMENT

11B-226.4 Baby diaper changing station. *Baby diaper changing stations shall ...
Baby diaper changing stations shall not be located in toilet compartments complying with
Section 11B-604.8 or urinal compartments complying with 11B-605.5 within a multiple
accommodation toilet facility.*

CODE TEXT IF ADOPTED

11B-226.4 Baby diaper changing station. *Baby diaper changing stations shall ...
Baby diaper changing stations shall not be located in toilet compartments complying with
Section 11B-604.8 or urinal compartments complying with 11B-605.5 within a multiple
accommodation toilet facility.*

STATEMENT OF REASONS

During additional outreach after the CAC meeting, commenters noted that baby changing stations should be similarly prohibited in accessible urinal compartments, the same as within accessible toilet compartments, because the station when deployed will block the required clear and maneuvering spaces.

DSA COMMENTS